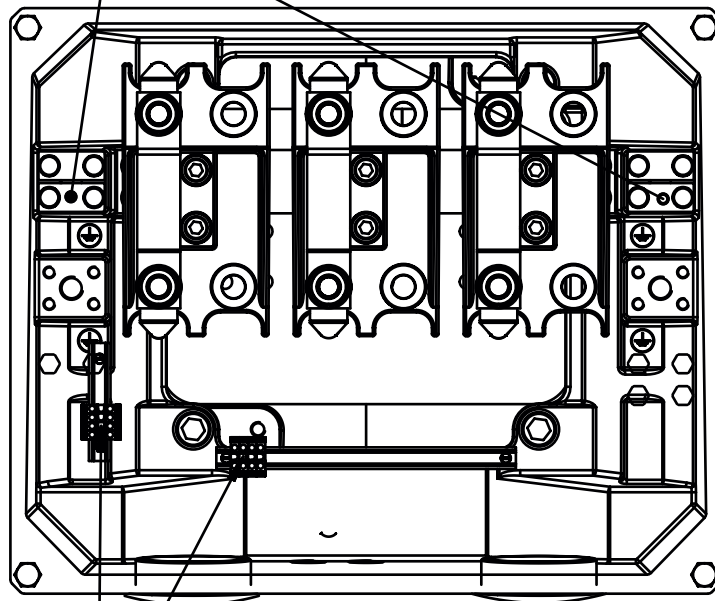
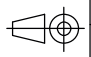



Earth Terminal



Terminals for auxiliary equipment (optional)

|   |            |  |  |
|---|------------|--|--|
|  |            | STANDARD TERMINAL BOX  |  |
|   |            | CAST IRON MOTOR FRAME  |  |
| Unit  | mm         | 1TZ5 355 FRAME   |  |
| Date  | 30/04/2017 |  |  |
|  |            | ELECTRIC MOTORS  |  |
|   |            | Diese Umrisszeichnung ist Änderungen vorbehalten / This outline drawing is subject to change |  |